

# LineBOSS™

## GBS, 15 kV-69 kV Sidebreak Type Loadbreak/Grounding Switch

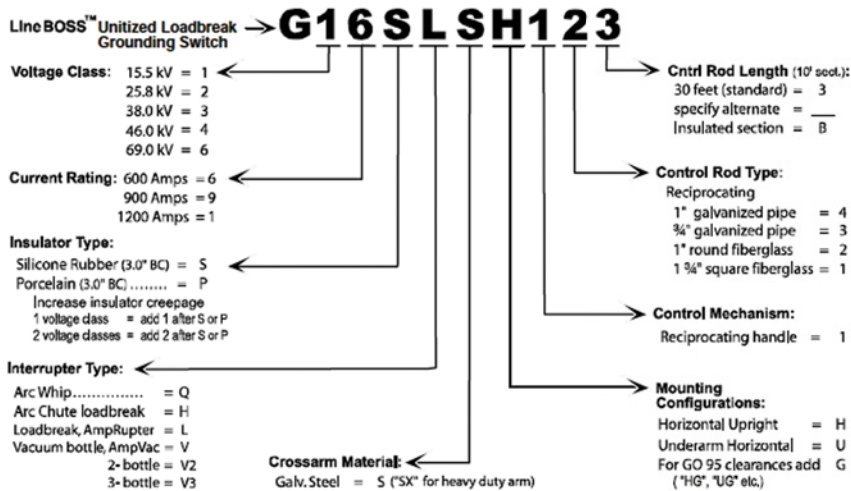
The LineBOSS™ loadbreak grounding switch, GBS, is uniquely designed to provide loadbreak, open gap clearances and line grounding for applications in substations or pole line switches. The GBS is available for two arm substation construction with switch bases manufactured to adapt to existing structures, or factory unitized on a single steel crossarm. The GBS is available with fused disconnects for additional system safety requirements. Control mechanisms are built with safety key interlocks to prevent the isolator (loadbreak) switch and the grounding switch from errant closure of both switches.

### Standard Configurations:

- Pole mounted for distribution applications
- Frame mounted for substation applications



### LineBOSS™ Loadbreak/Grounding Switch Selection Guide



Note: Consult the factory for any options not listed, including; arrestors, sensors, support brackets etc..