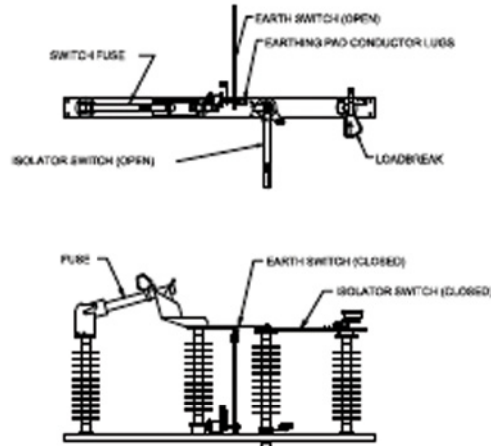


NOTE: 35 KV SWITCH SHOWN WITH 350 KV BIL INSULATORS

G2 SWITCHES HAVE LOADBREAK, GROUNDING AND FUSE ATTACHMENT OPTIONS FOR 15 KV THROUGH 35 KV CIRCUITS

FIGURE 1:
- LOADBREAK LINE SECTION SWITCH
- EARTH SWITCH
- SWITCH FUSE



STRUCTURE MOUNTING HOLES
PER CUSTOMER SPECIFICATIONS

FIGURE 2:
- LOADBREAK LINE SECTION SWITCH
- SWITCH FUSE

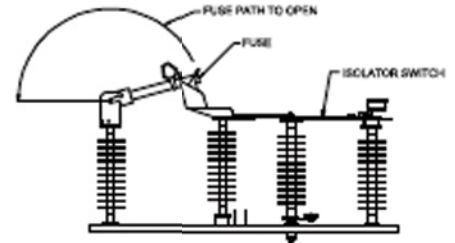


FIGURE 3:
- LOADBREAK LINE SECTION SWITCH
- EARTH SWITCH

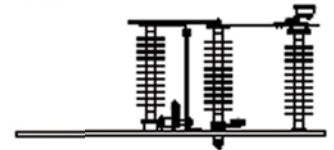
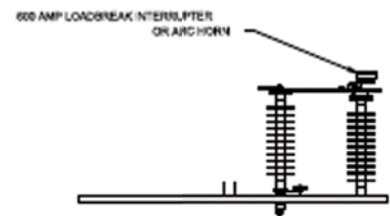


FIGURE 4:
- LOADBREAK LINE SECTION SWITCH



This drawing is for illustrative purposes only and therefore; may, or may not reflect the current revision of this drawing. Please request the current revision from the factory.